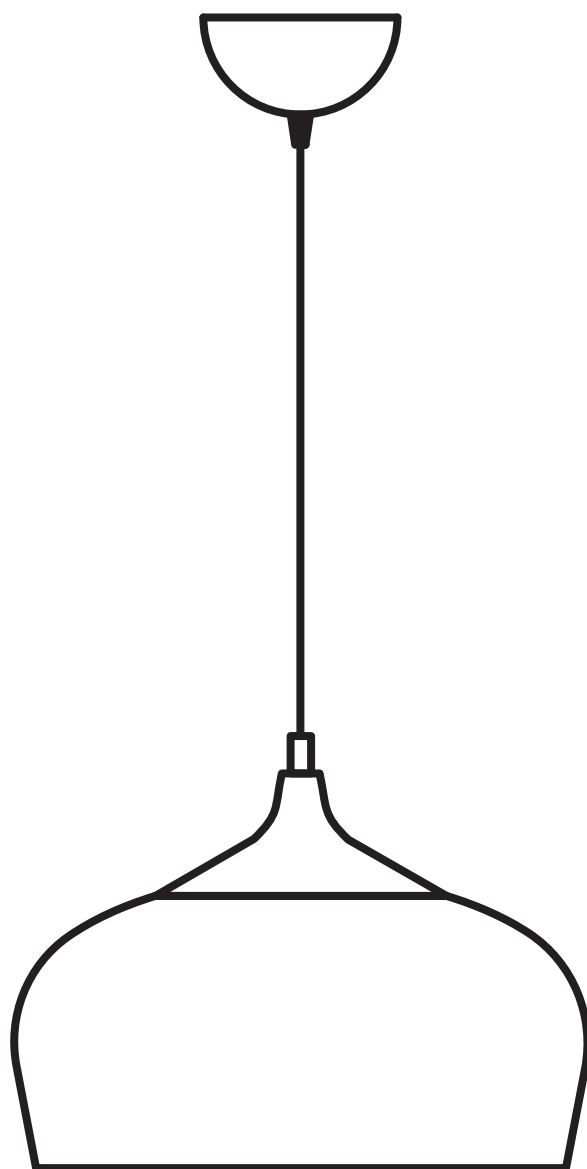
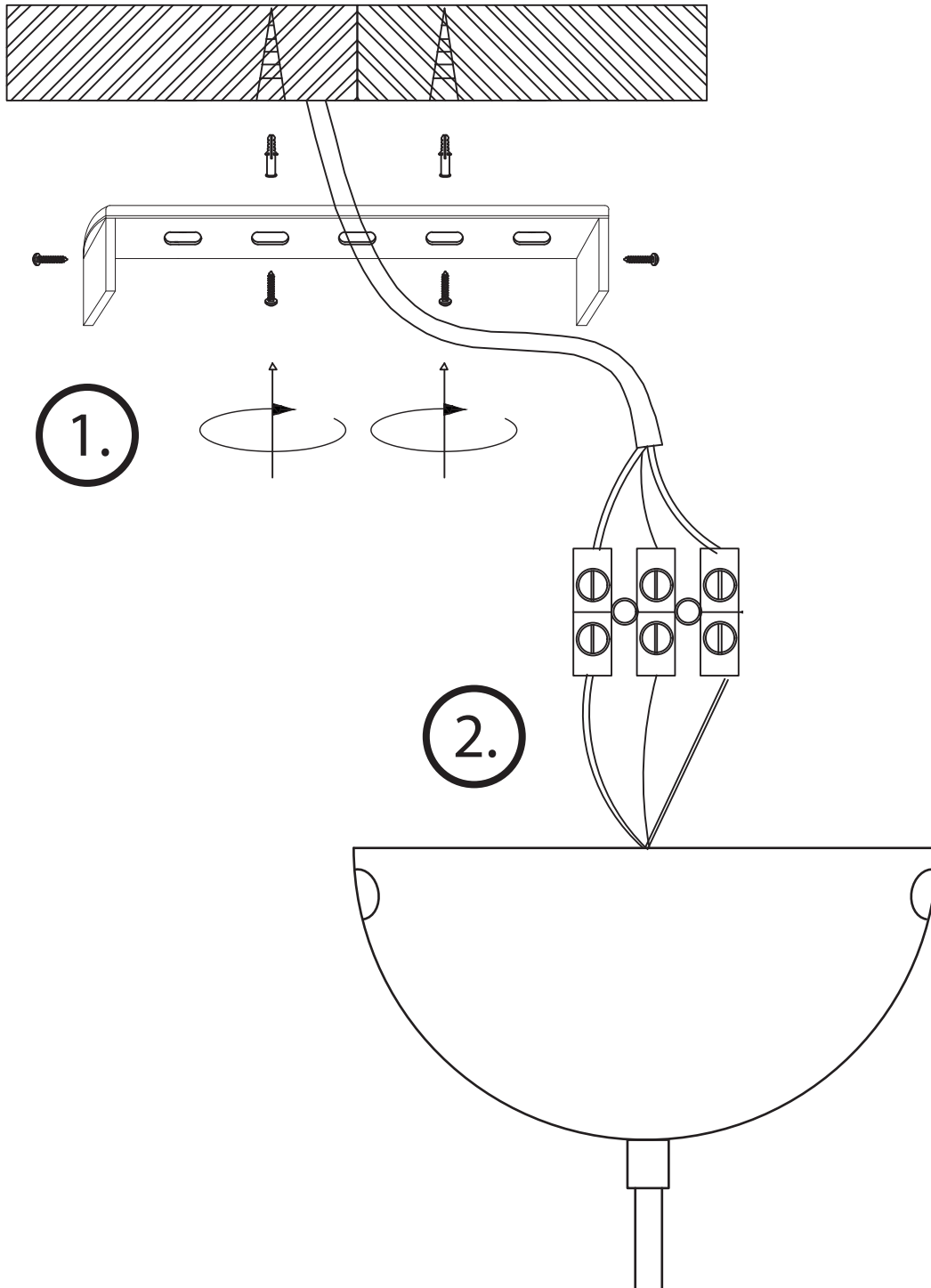
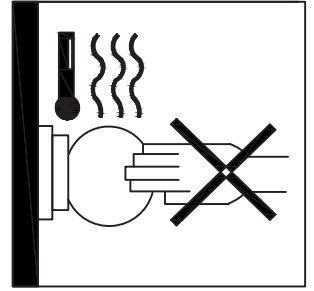
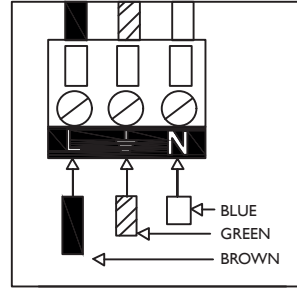
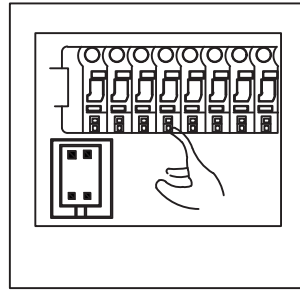
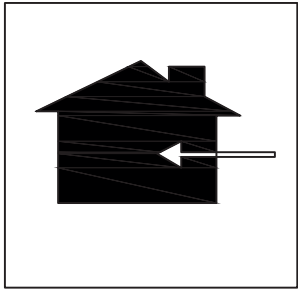


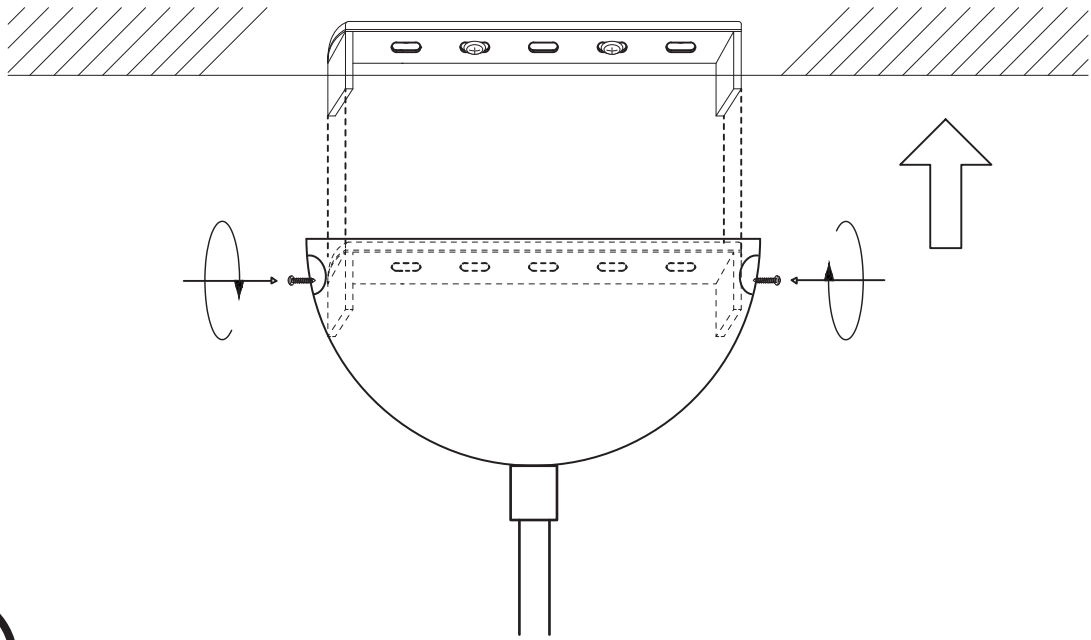
CONSI



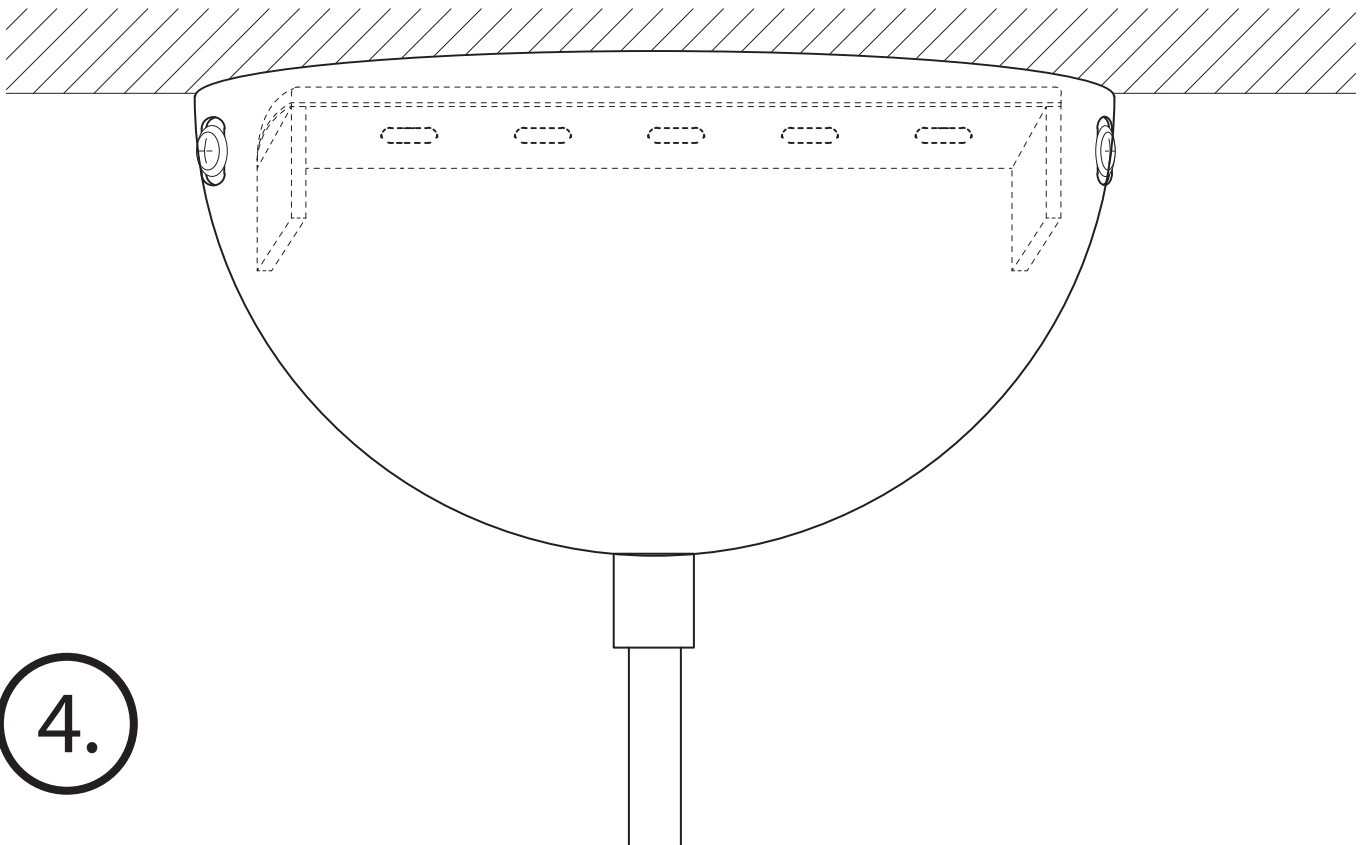
DIFFICULTY LEVEL



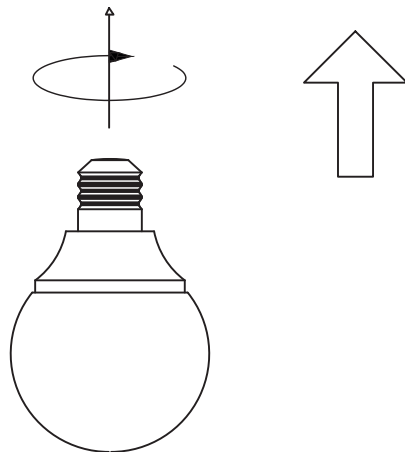
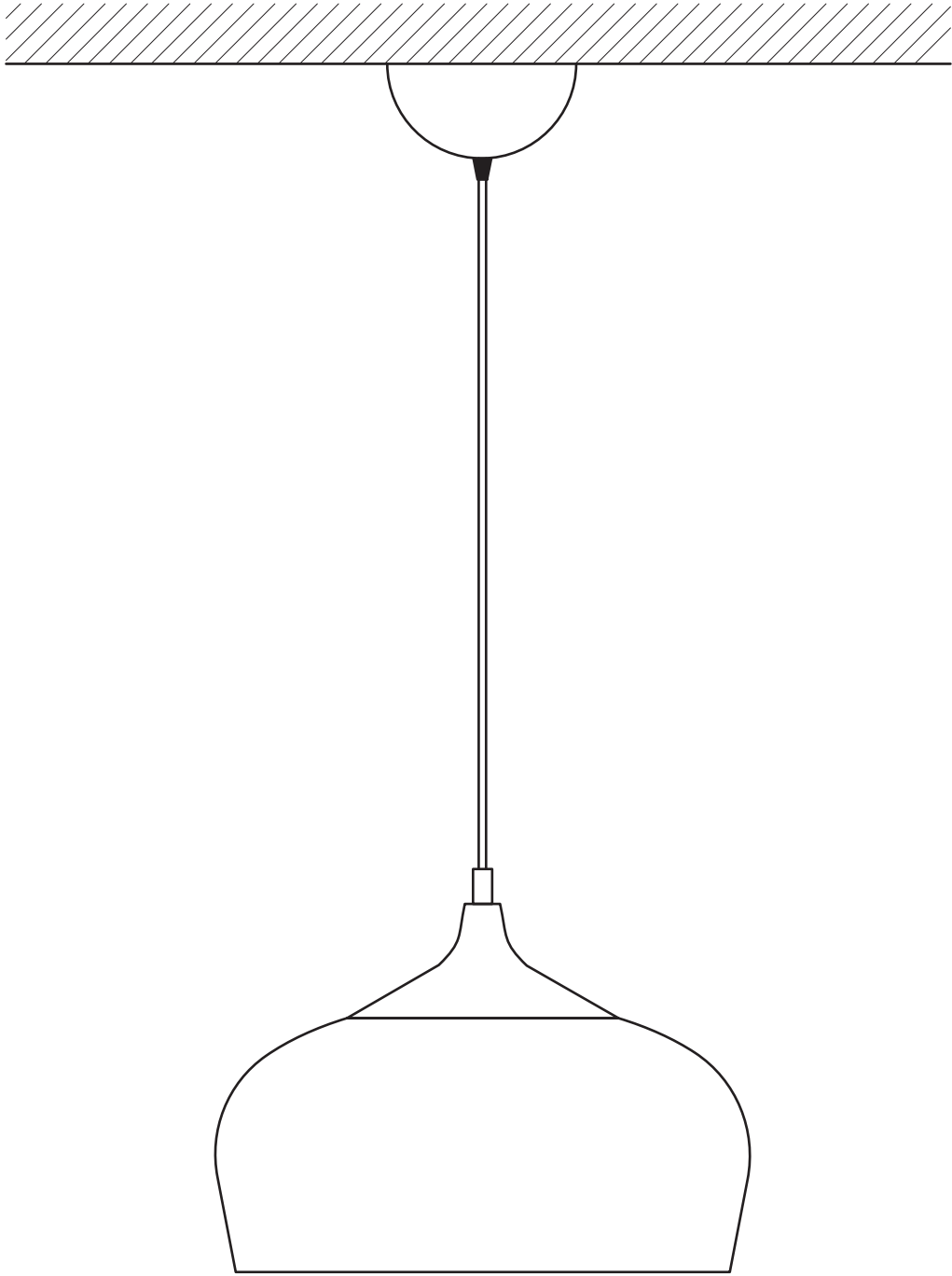




3.



4.



5.